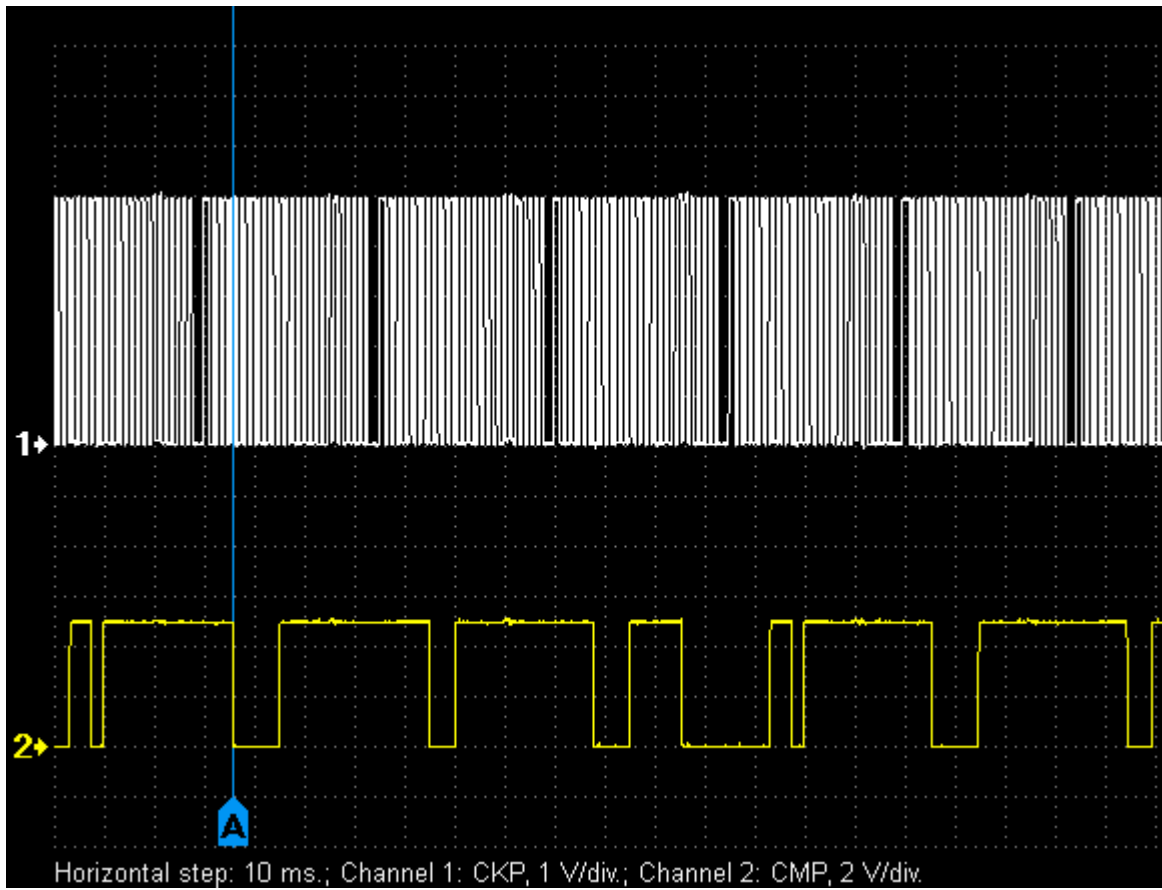
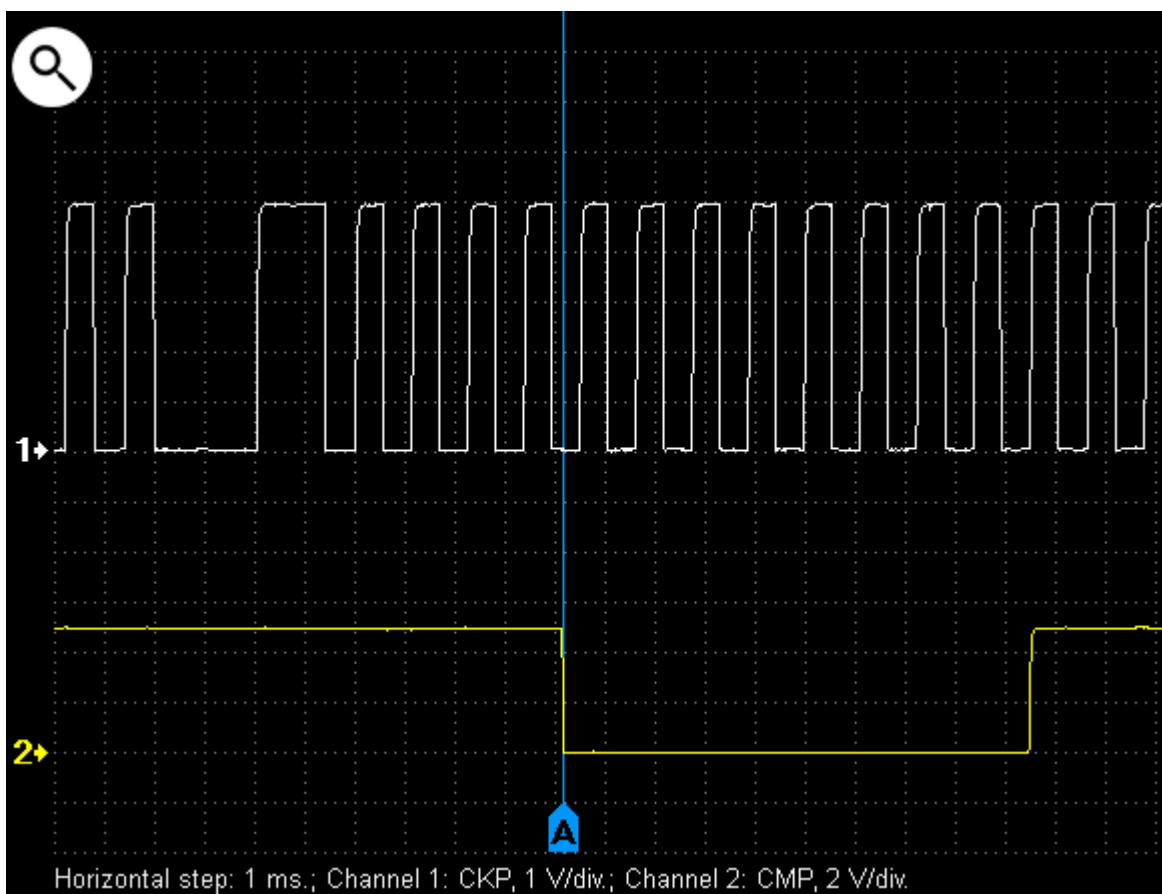


Volkswagen – Crankshaft / Camshaft relationship

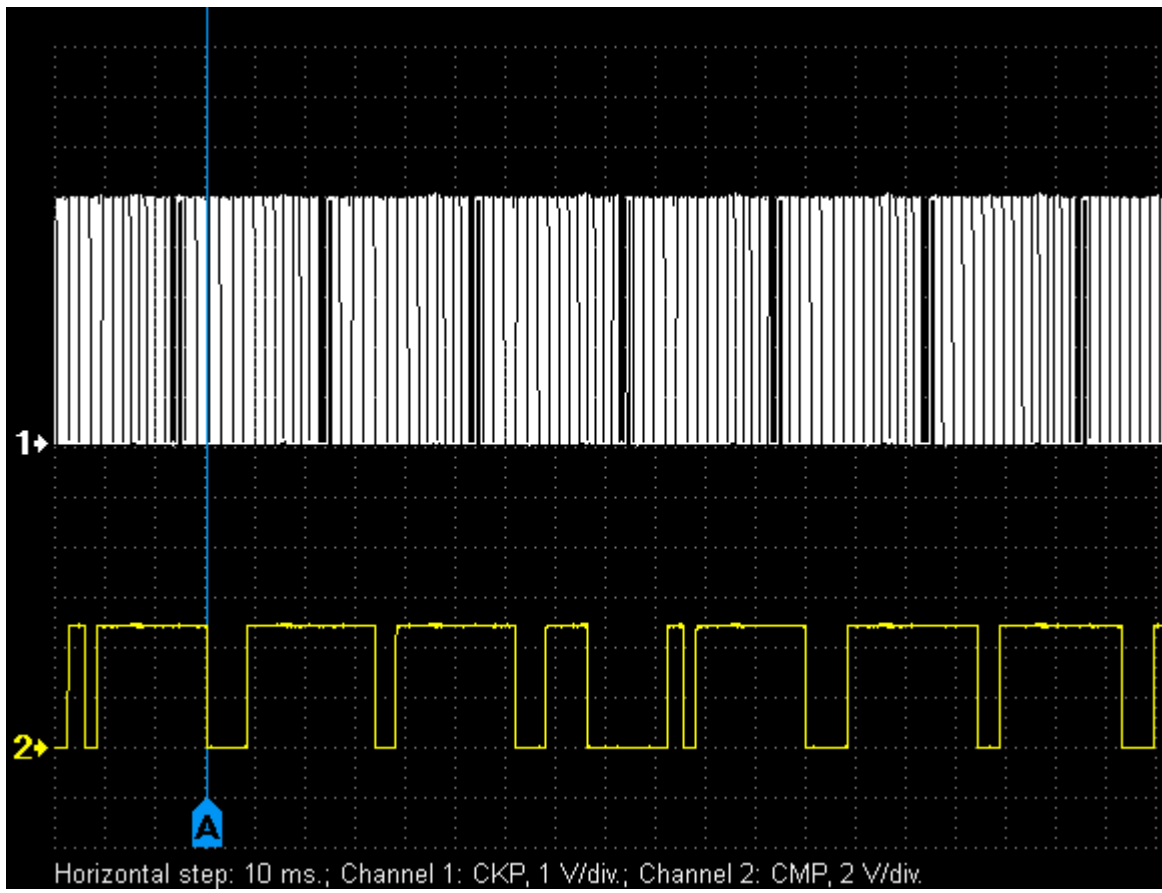
Volkswagen Caddy 2005 2.0 BDJ



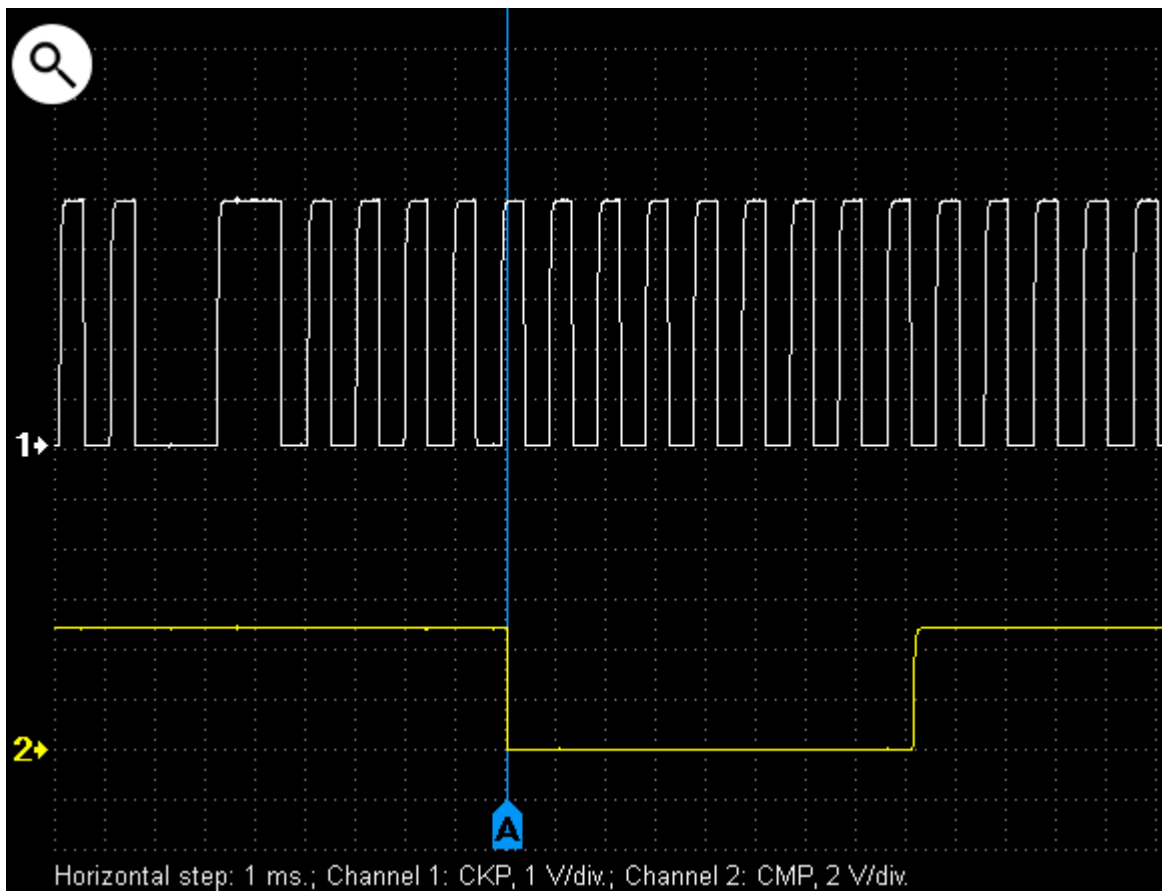
[volkswagen_caddy_2005_2.0_bdj.mwf](#)



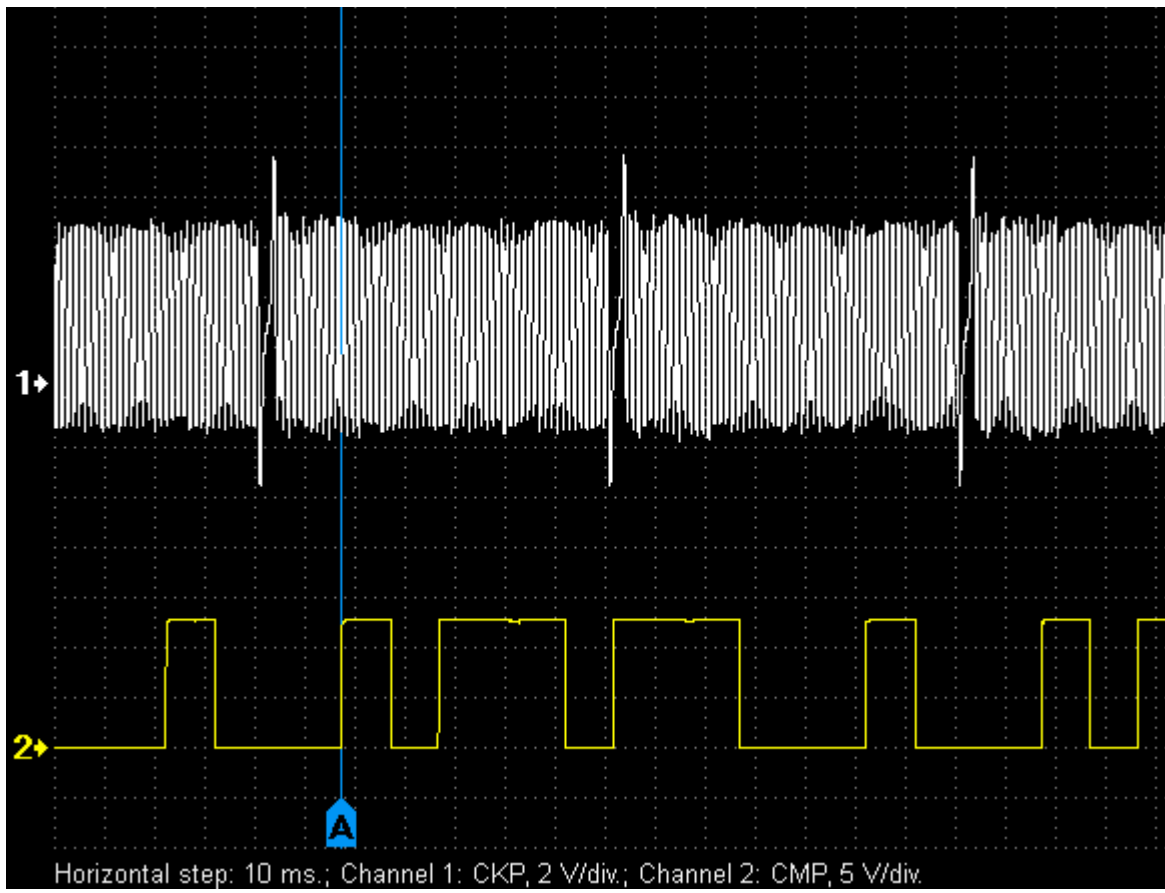
Volkswagen Caddy 2005 2.0 SDI BST



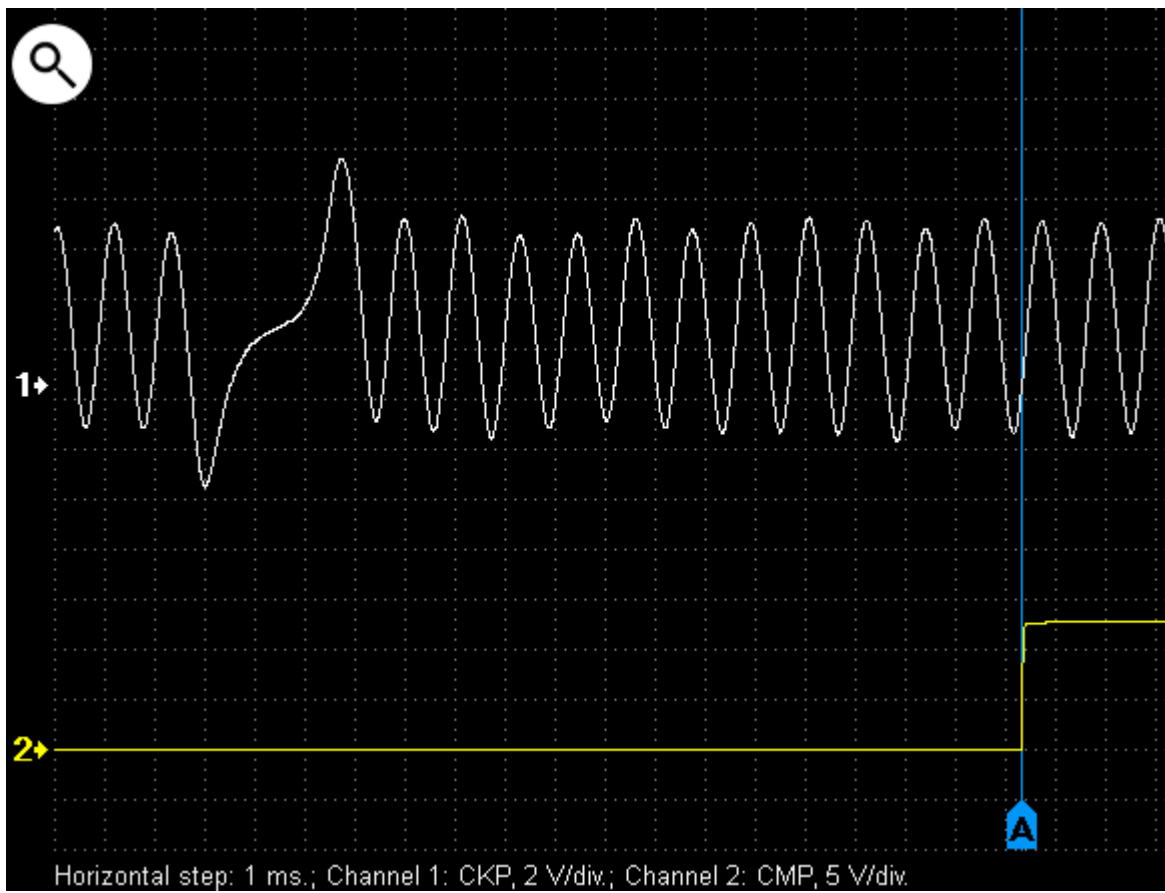
[volkswagen_caddy_2005_bst.mwf](#)



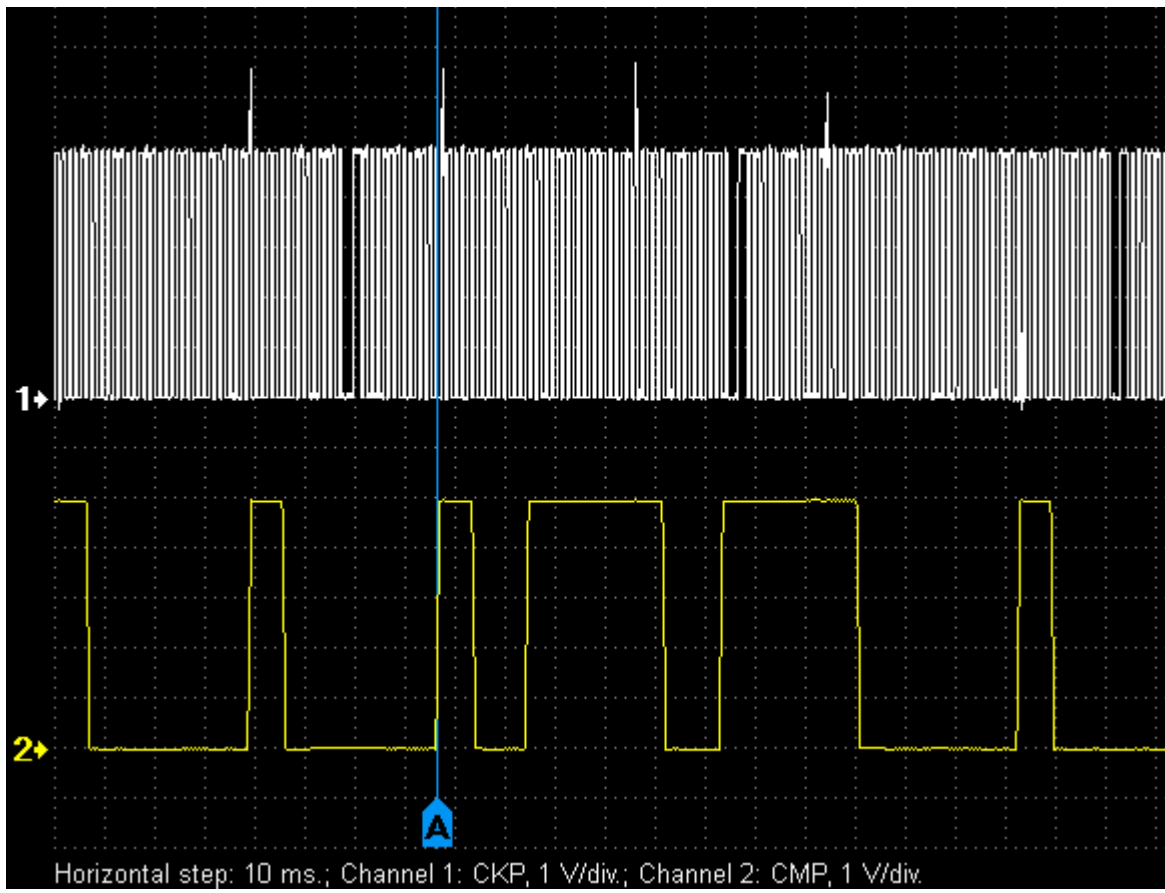
Volkswagen Passat 1.8 ART



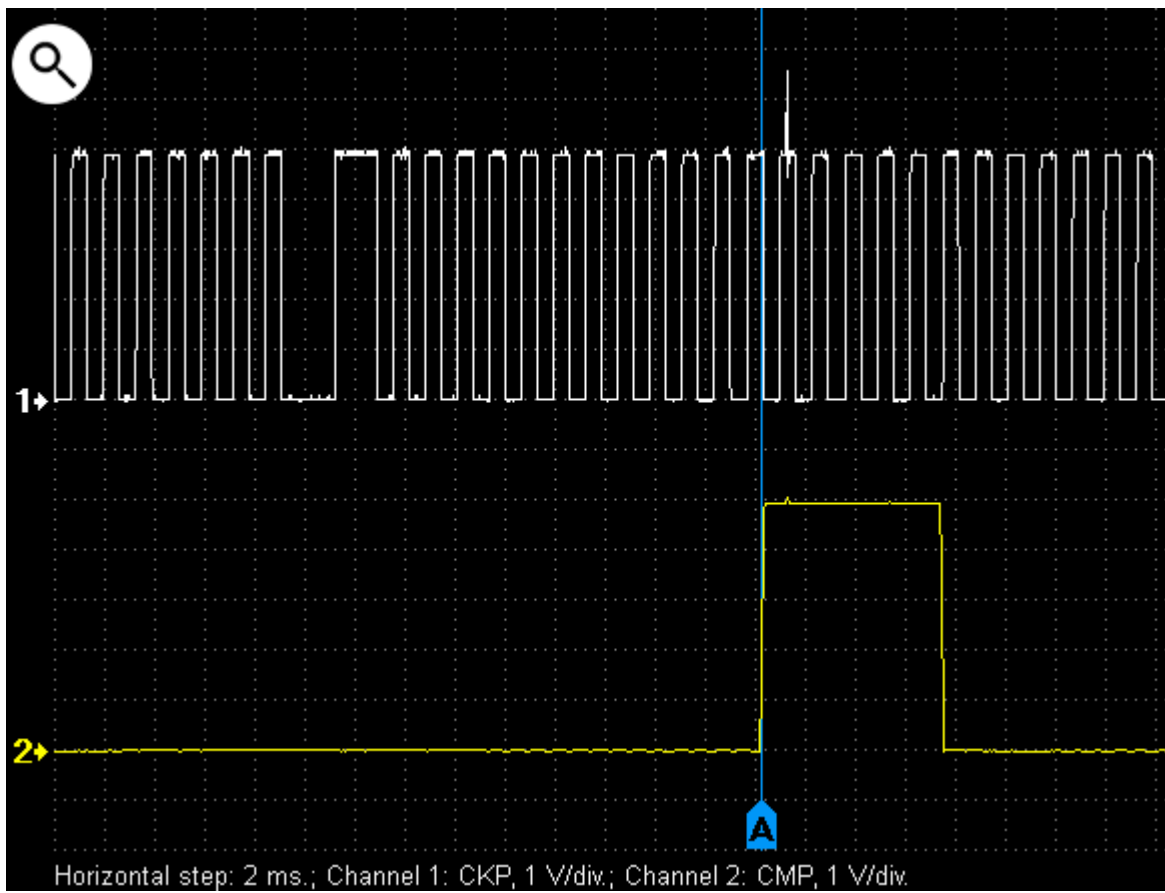
[volkswagen_passat_1.8_art.mwf](#)



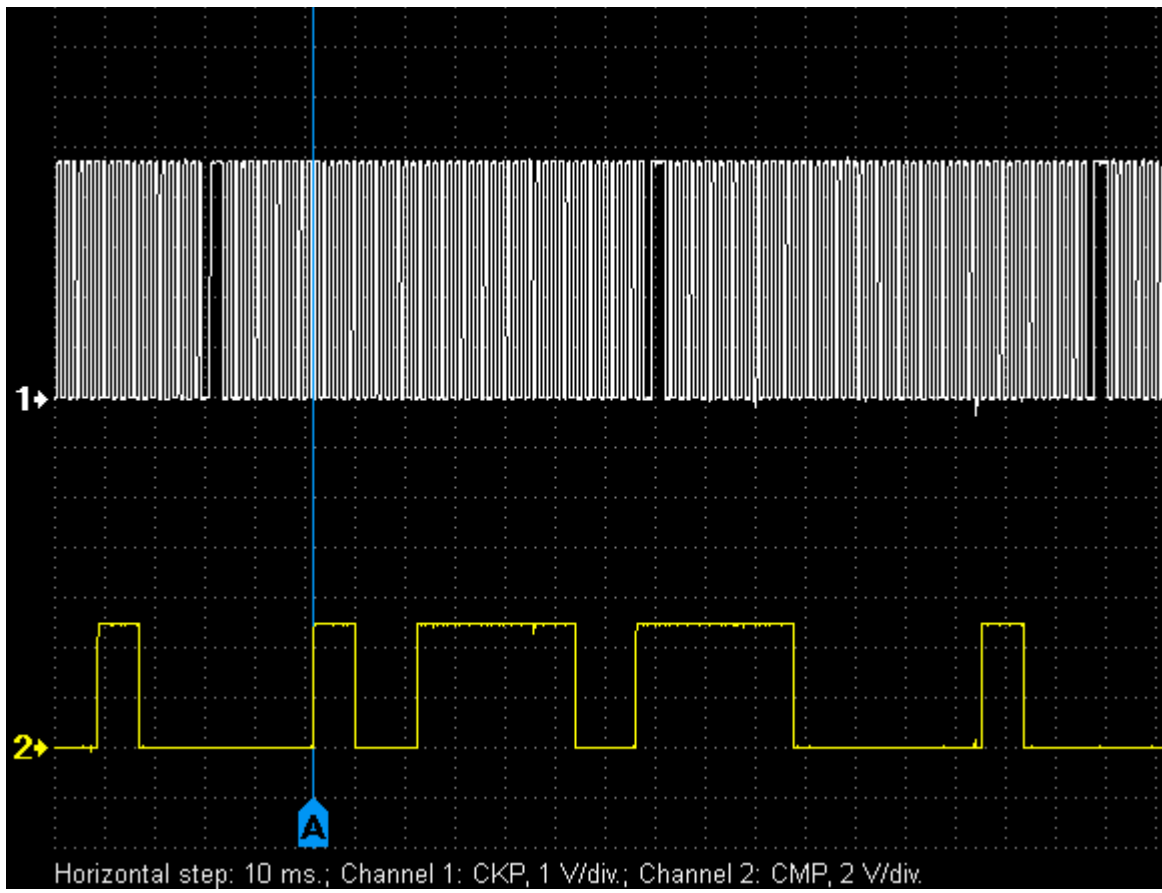
Volkswagen Polo 1.4 16v BUD



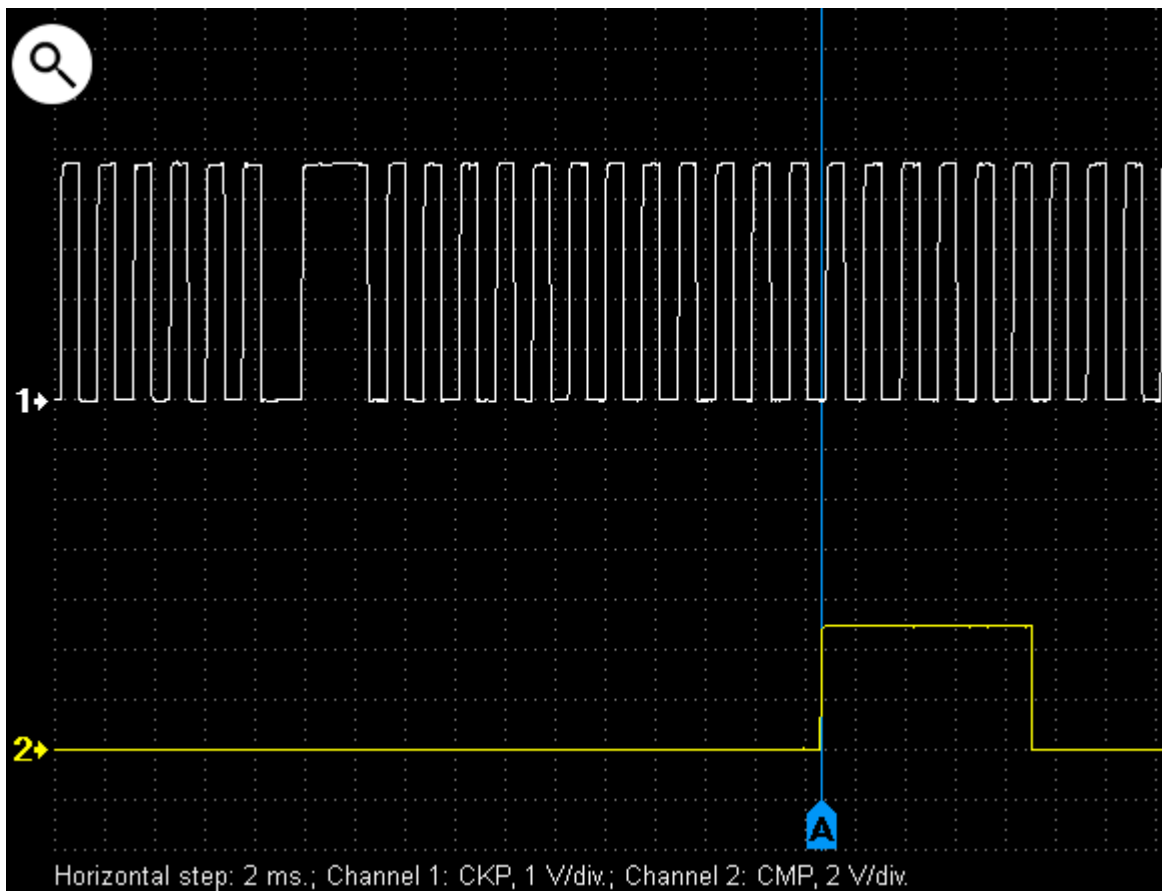
[volkswagen_polo_1.4_16v_bud.mwf](#)



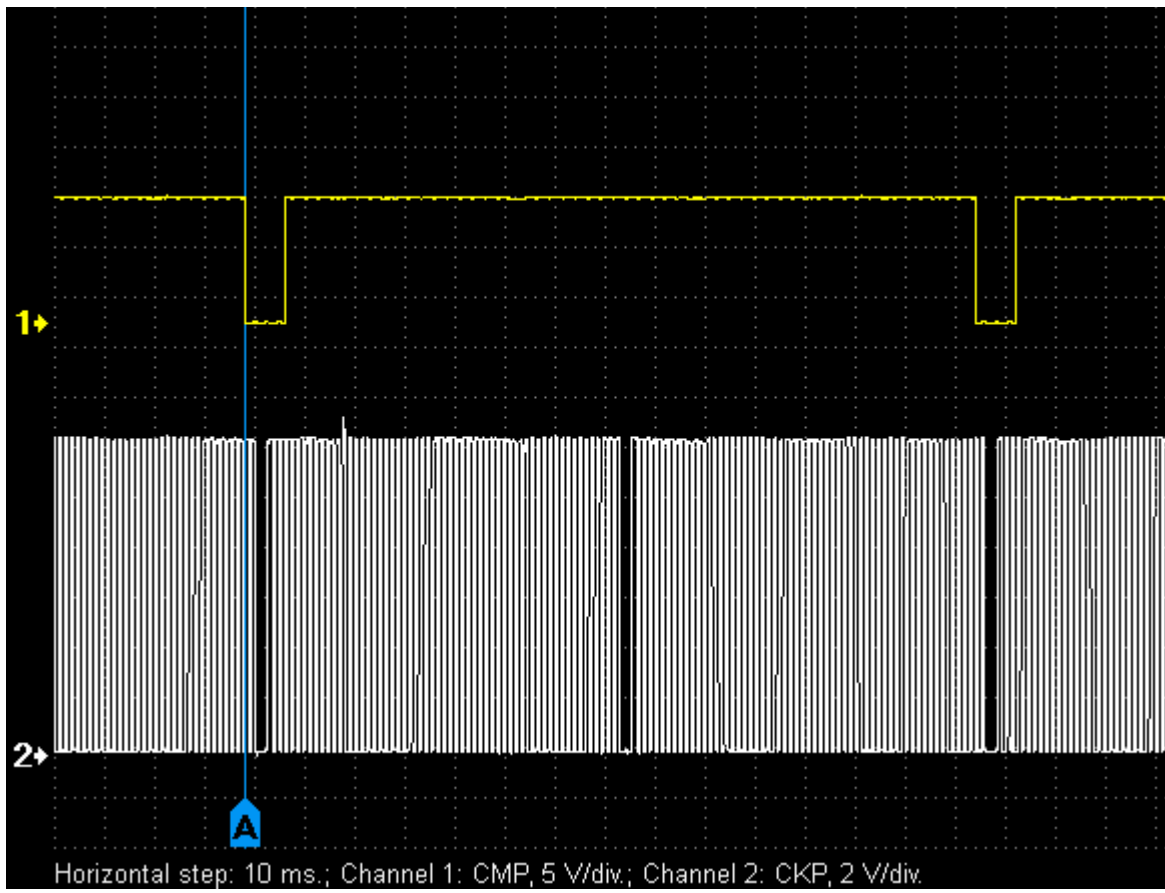
Volkswagen Polo 2003 1.4 BBY



[volkswagen_polo_2003_1.4_bby.mwf](#)



Volkswagen Sharan 1996 2.0 8v



[volkswagen_sharan_1996_2.0_8v.mwf](#)

