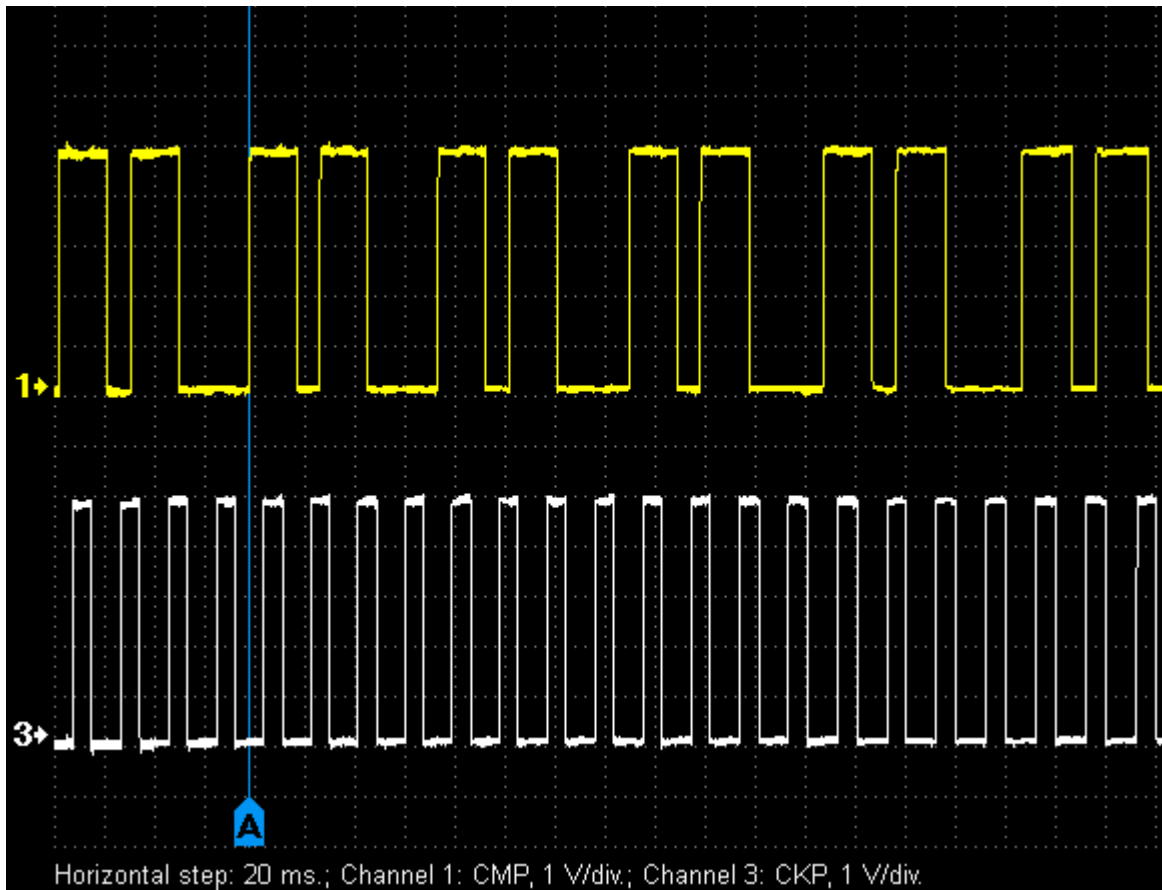
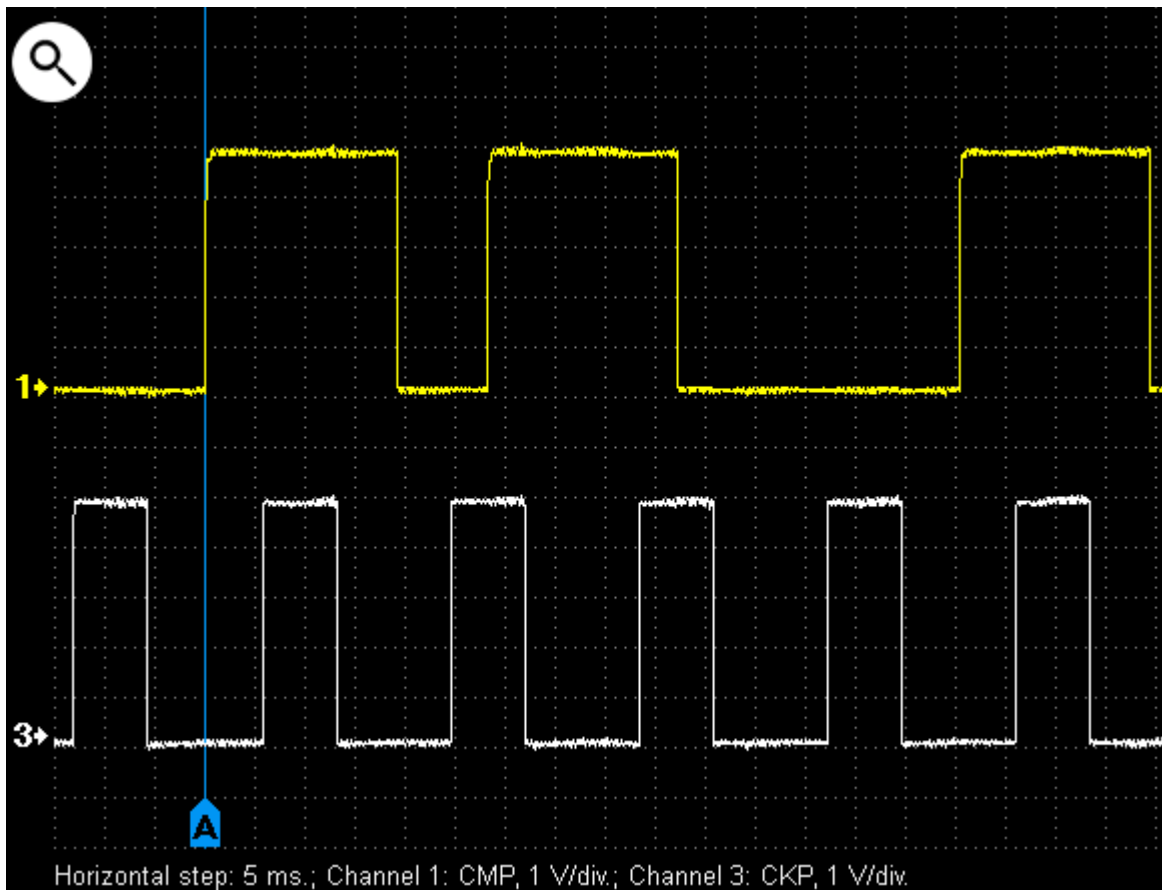


Mitsubishi – Crankshaft / Camshaft relationship

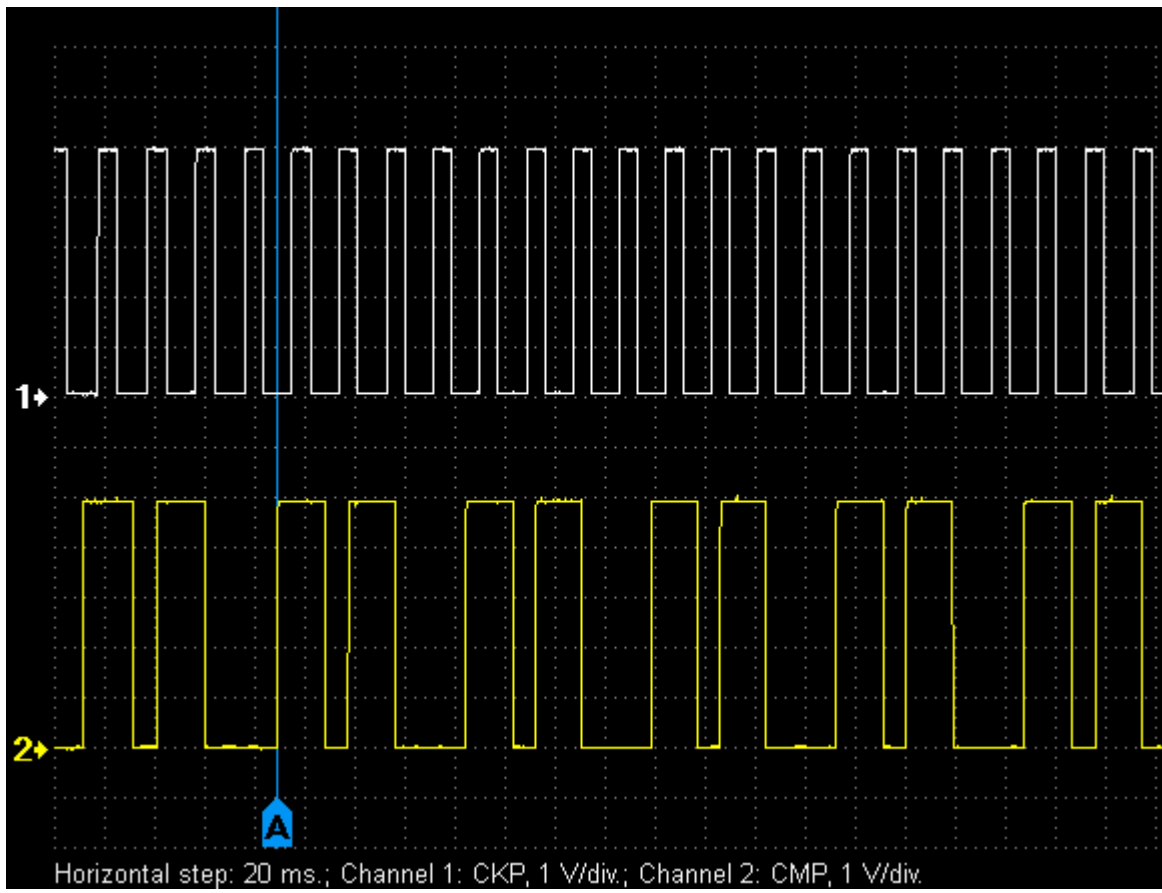
Mitsubishi Eclipse 2.4 4G64



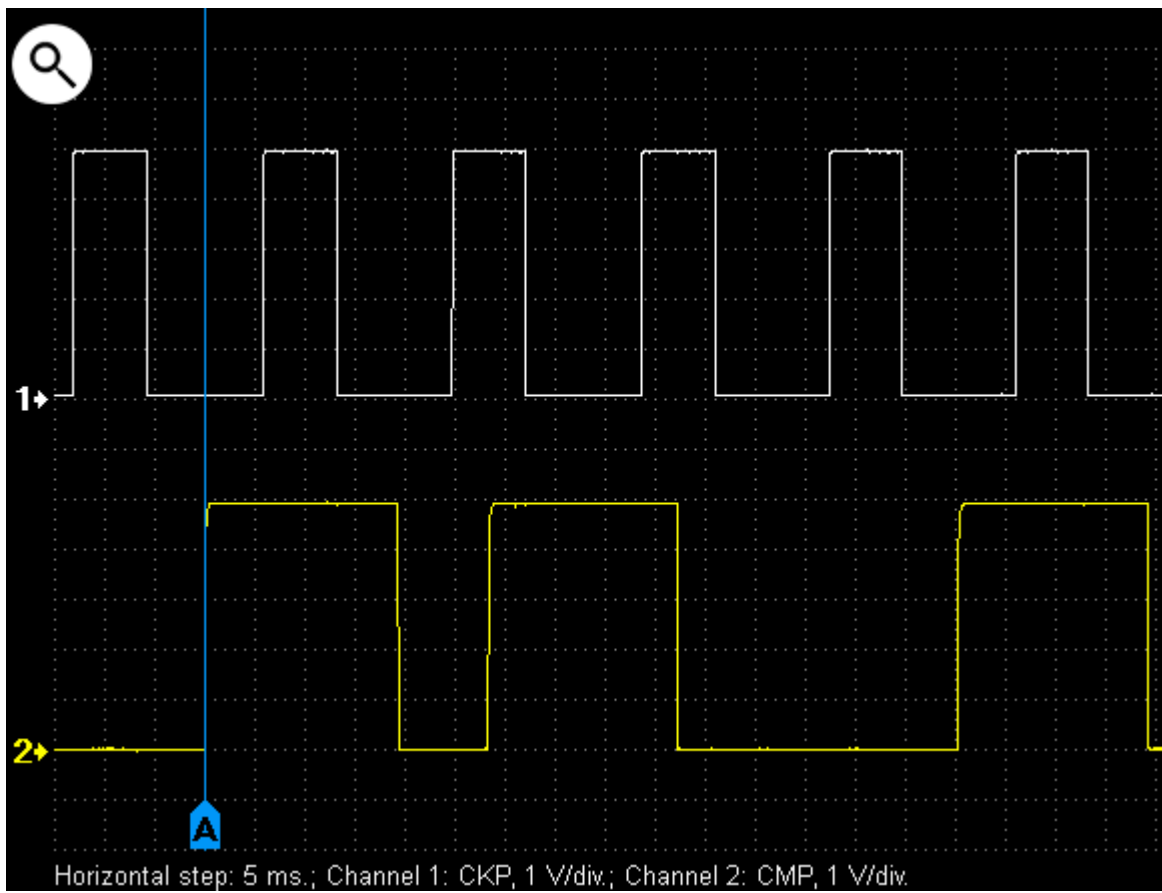
[mitsubishi_eclipse_2.4_4g64.mwf](#)



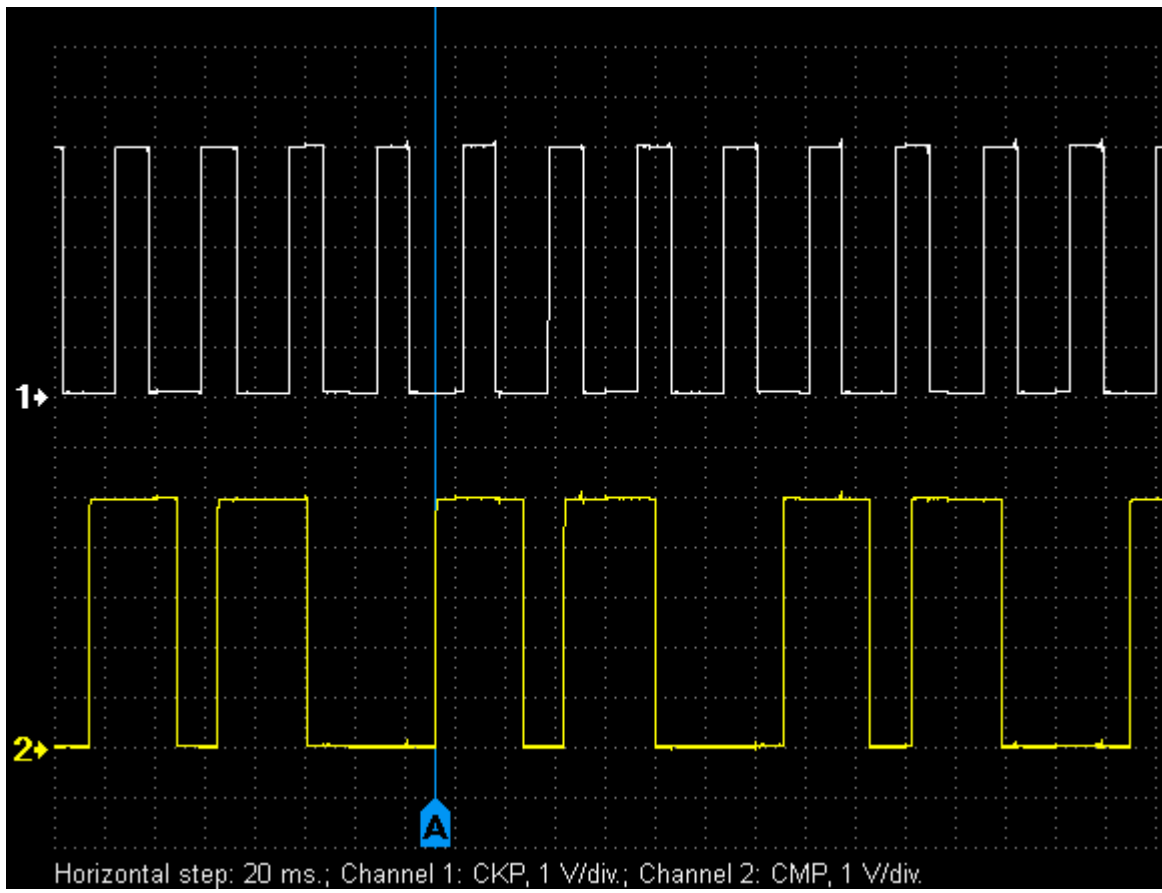
Mitsubishi Galant 2002 2.4 USA



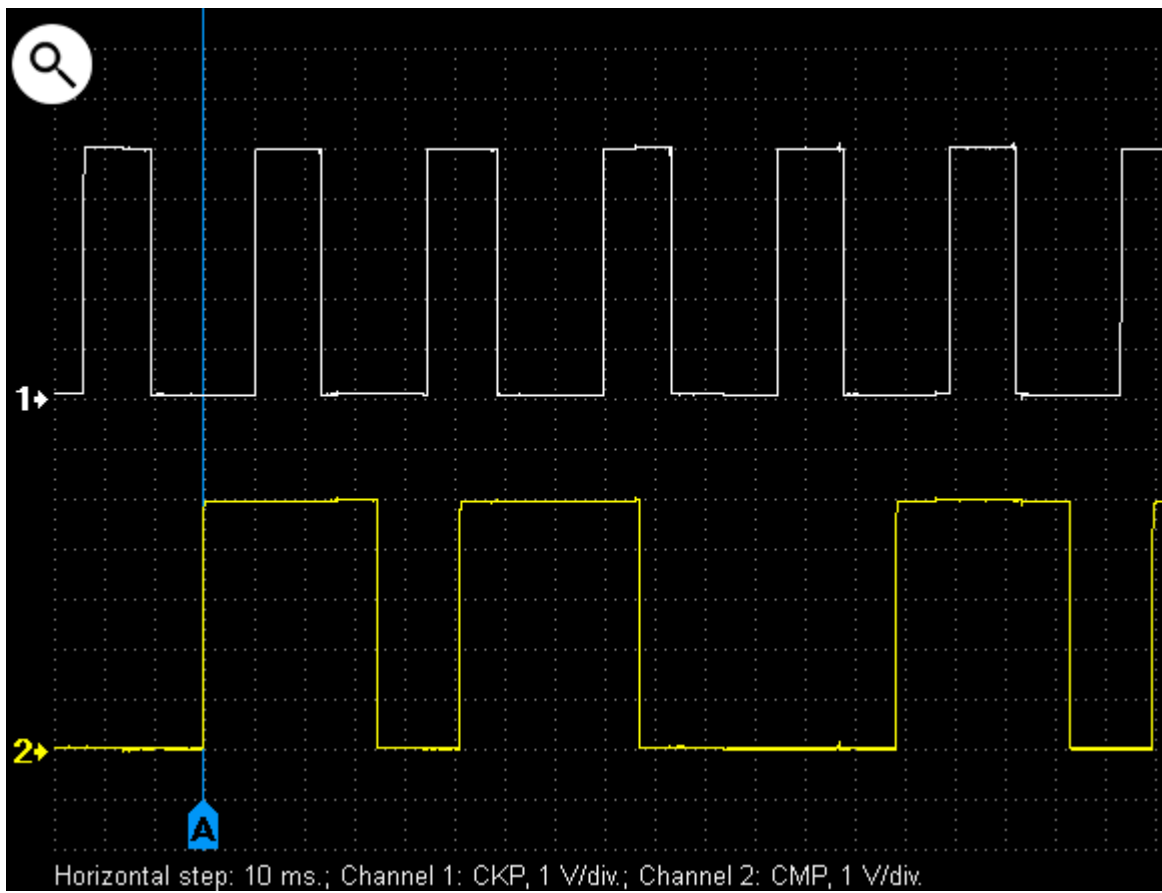
[mitsubishi_galant_2002_2.4_usa.mwf](#)



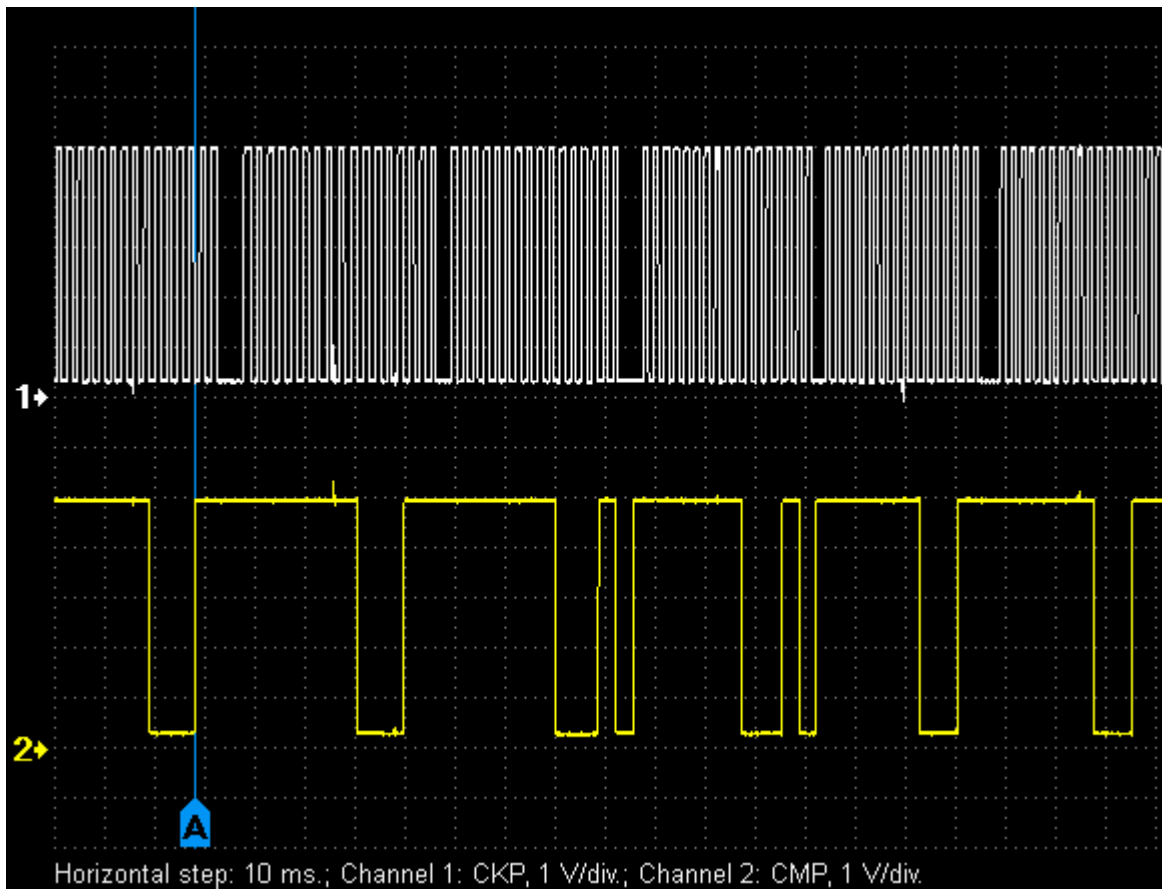
Mitsubishi Lancer 1.6 4G18



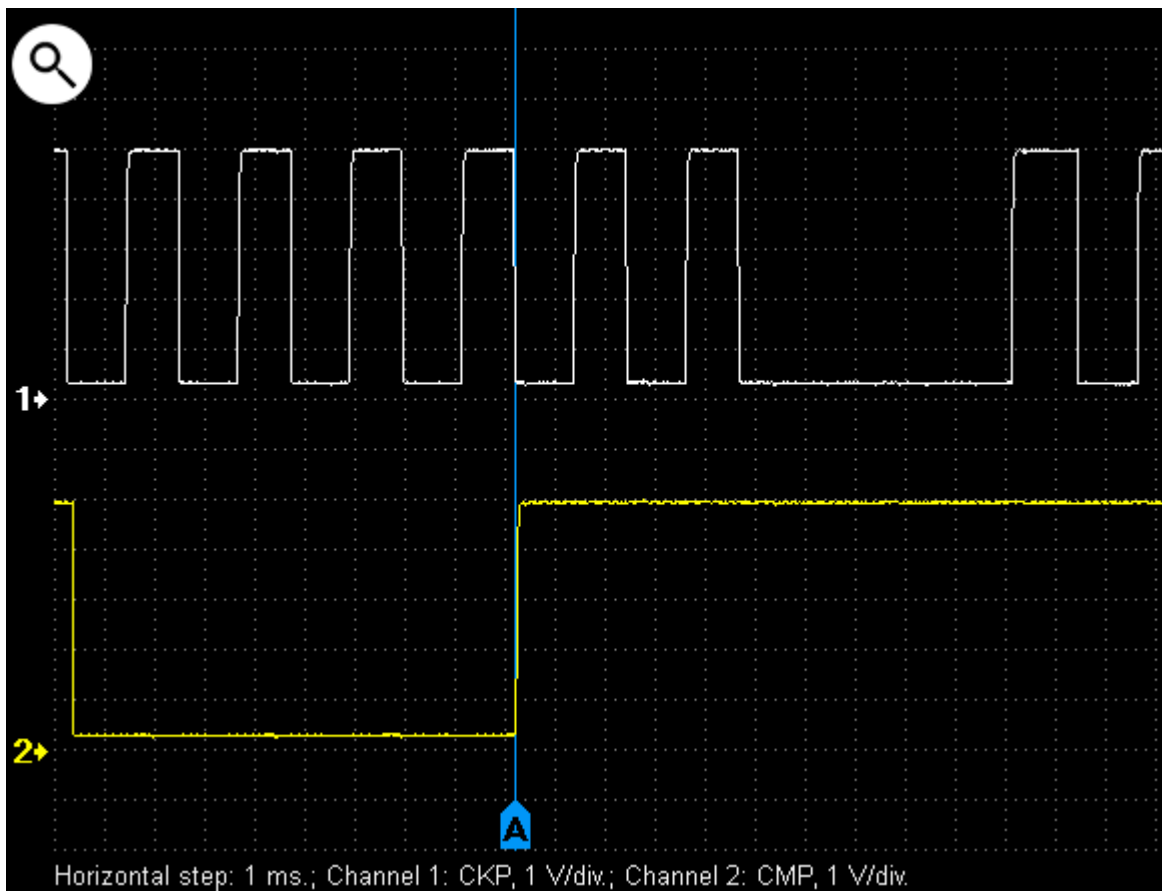
[mitsubishi_lancer_1.6_4g18.mwf](#)



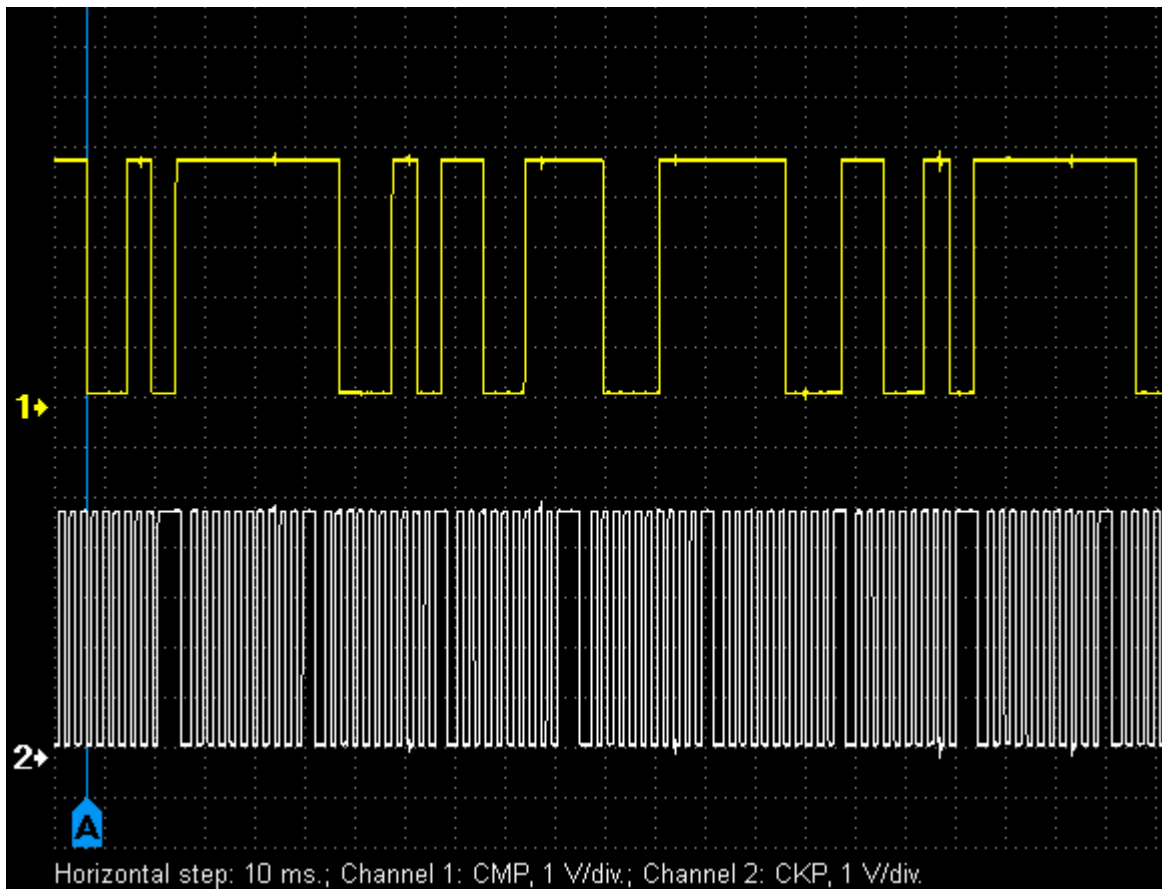
Mitsubishi Outlander 2008 2.4



[mitsubishi_outlander_2008_2.4.mwf](#)



Mitsubishi Pajero IV 6G72



[mitsubishi_pajero_iv_6g72.mwf](#)

